

Composite Figures

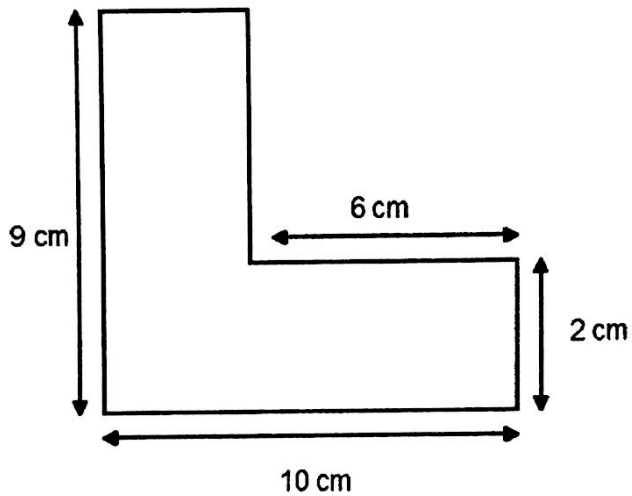
Name: _____

Date: _____

Directions: Find the area of each composite figure by decomposing (breaking it down) it into smaller parts that we know how to find the area of.

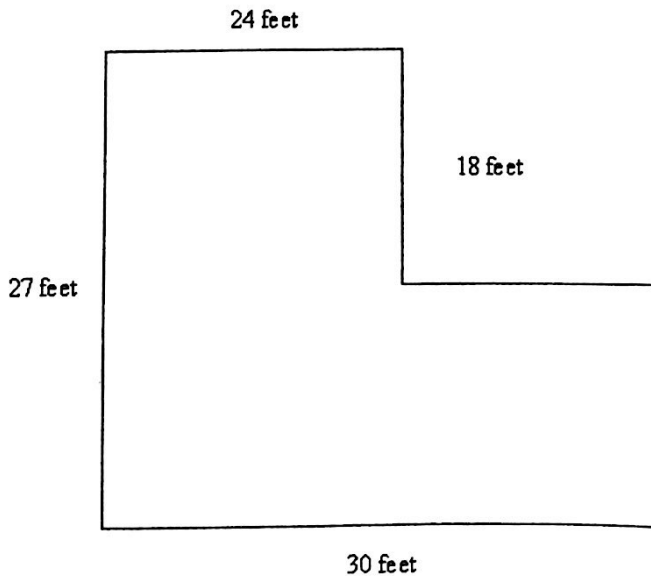
1.

Area: _____ cm^2



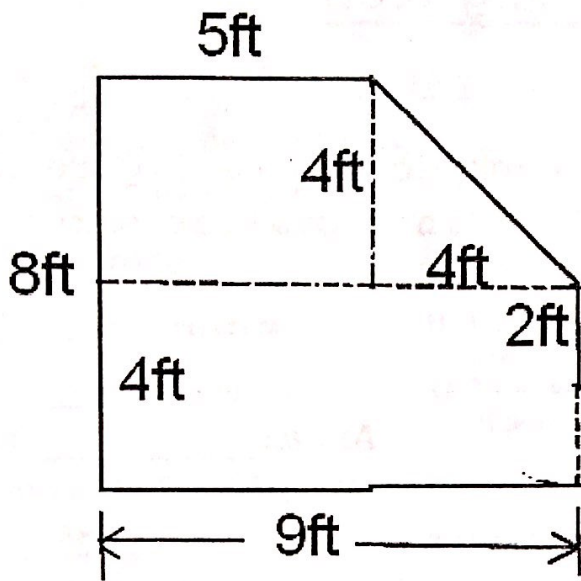
2.

Area: _____ ft^2



3.

Area: _____ ft^2



4.

Area: _____ m^2

